

- SUPPLIES WITHIN KITCHEN
- 1 X INDUCTION HOB - DB1/15
  - 1 X FRIDGE - DB1/16
  - 1 X FREEZER - DB1/16
  - 1 X DISHWASHER - DB1/16
  - 1 X COOKER TAP - DB1/16
  - 2 X OVENS - DB1/13 & 14
  - 1 X MICROWAVE - DB1/16
  - 1 X HOB VENT - DB1/16
  - 1 X STEAM OVEN - DB1/16
  - 1 X UNDER COUNTER FRIDGE - DB1/16
  - 4 X 13A TSSO - DB1/2

2-GANG QUADRUPLX MULTIMEDIA SOCKET WITH:  
 - CO-AX TV OUTLET  
 - DAB/FM RADIO OUTLET  
 - 2x SAT TV OUTLETS  
 - TELEPHONE SLAVE OUTLET

2-GANG QUADRUPLX MULTIMEDIA SOCKET WITH:  
 - CO-AX TV OUTLET  
 - DAB/FM RADIO OUTLET  
 - 2x SAT TV OUTLETS  
 - TELEPHONE SLAVE OUTLET

KITCHEN LAYOUT IN ABEYANCE - EXACT SETTING OUT TO BE CONFIRMED BY SPECIALIST AND INTERIOR DESIGNER

2-GANG QUADRUPLX MULTIMEDIA SOCKET WITH:  
 - CO-AX TV OUTLET  
 - DAB/FM RADIO OUTLET  
 - 2x SAT TV OUTLETS  
 - TELEPHONE SLAVE OUTLET

OUTLETS LOCATED AT MID-LEVEL  
 Family Room / Snug

LOCATION OF PROPOSED MAIN HOUSE DISTRIBUTION BOARD - DB1 AND EXISTING UTILITY INCOMING LV SUPPLY AND FUSES/METER

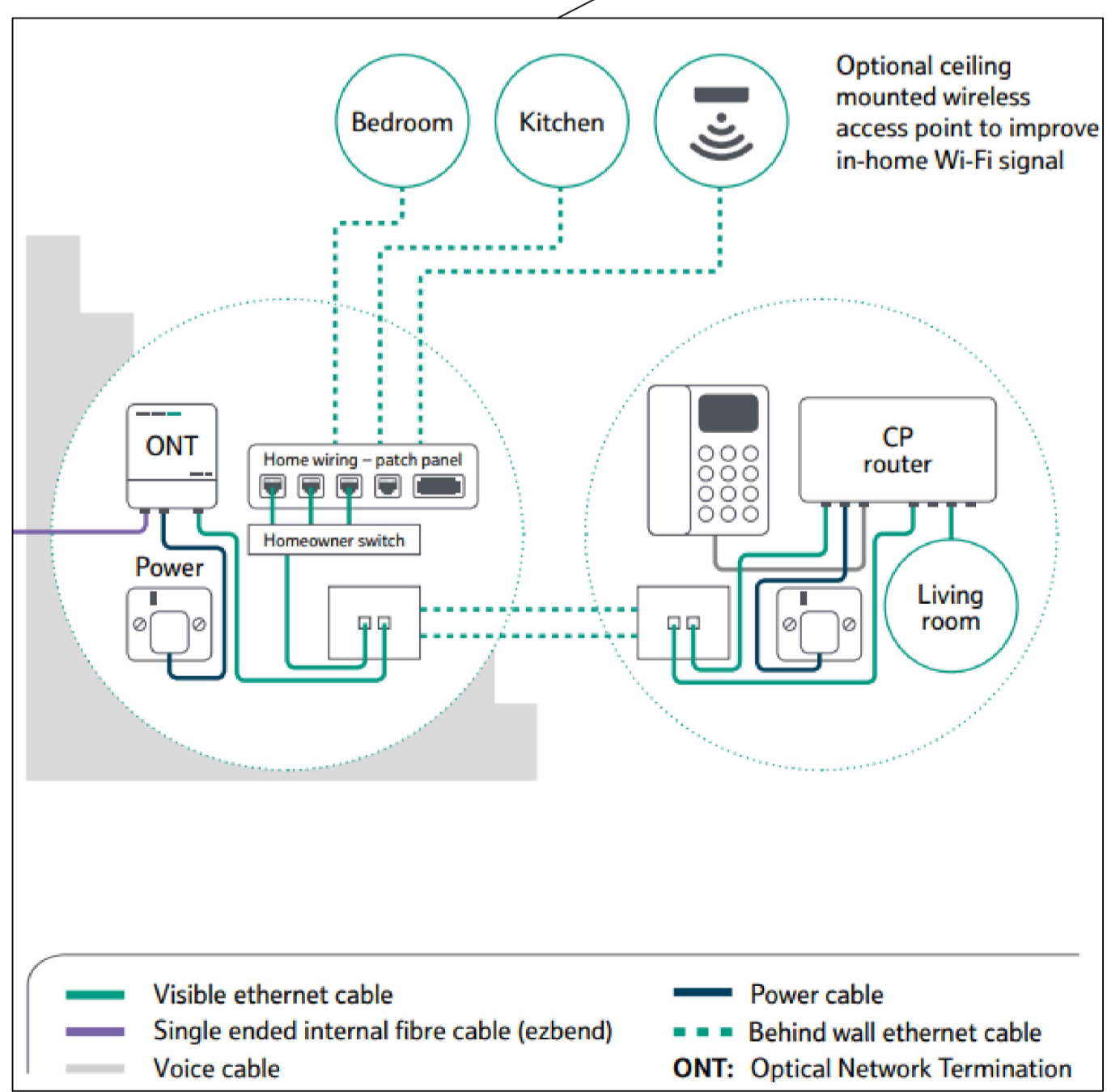
SUBMAIN FOR DB 2 TO BE ROUTED AT HIGH LEVEL IN CEILING VOID FROM MAIN HOUSE BOARD DB1

LOCATION OF PROPOSED GARAGE CONSUMER UNIT DB 2

POWER SUPPLY FOR AUTOMATED GARAGE DOOR

POWER SUPPLY FOR AUTOMATED GARAGE DOOR

POWER SUPPLY FOR AUTOMATED GARAGE DOOR



TYPICAL HOME NETWORK WIRING ARRANGEMENT (FTTP)

**General Notes:**  
 This drawing should be read in conjunction with the relevant Etch Associates specifications and technical schedule documents.  
 This drawing should be read in conjunction with all relevant design documents.  
 All apparent drafting errors or discrepancies with other design documents shall be identified as soon as possible and brought to the attention of Etch Associates.  
 Do not scale from this drawing.

**Project Notes:**

Index	Description	Designed	Reviewed	Authorised	Date
T01	TENDER ISSUE	GH	JD	DB	04.23
P02	PRELIMINARY ISSUE	DH	DB	RT	03.23
P01	PRELIMINARY ISSUE	DH	DB	RT	12.22

REVISIONS:



ARCHITECT:  
**contour**  
 architecture

CLIENT:  
 PRIVATE CLIENT

PROJECT TITLE:  
 GREENFIELDS REFURBISHMENT  
 POTTEN END  
 HERTFORDSHIRE  
 HP4 2SH

DRAWING TITLE:  
 ELECTRICAL ENGINEERING SYSTEMS  
 SMALL POWER AND ANCILLARIES  
 GENERAL ARRANGEMENTS  
 GROUND FLOOR

TENDER ISSUE

DOCUMENT QA:		
Design:	Review:	Authorising Issue:
GH	JD	DB

Office:	Date:	Scale:
OXFORDSHIRE	APR 23	@ A1: @ A1

DRAWING NUMBER									
Project Code	Orig	Zone	Level	Type	Rate	Class	Number	Revision	
011125	EAL	ZZ	00	GA	E	620	0001	T01	

